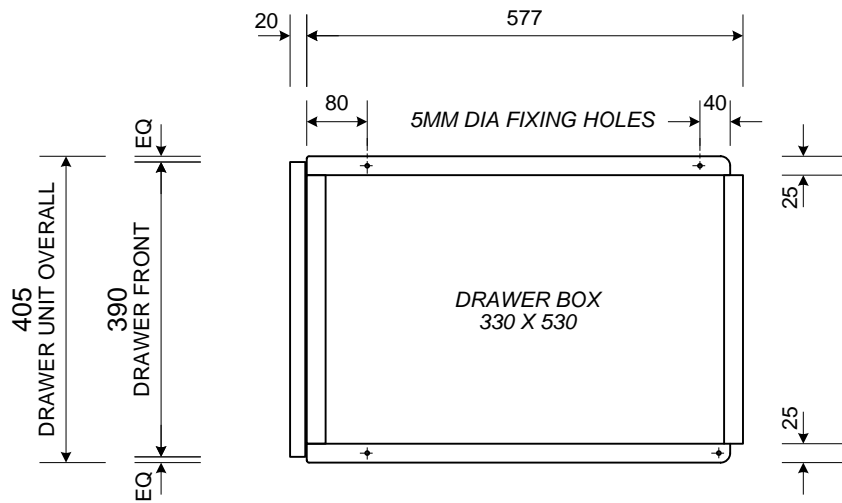
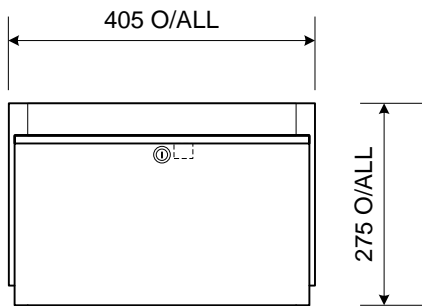


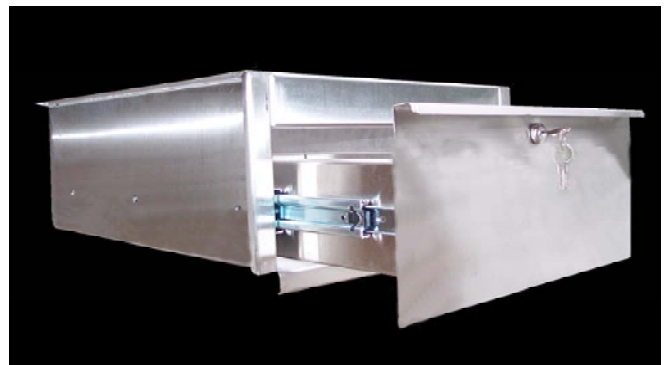
SECTION VIEW
WITH DRAWER FULLY EXTENDED



PLAN VIEW



FRONT VIEW



- * 304 GRADE STAINLESS STEEL
SATIN FINISH
- * FULL EXTENSION BALL BEARING DRAWER SLIDES
ZINC PLATED
- * CAM STYLE DRAWER LOCK
NICKEL PLATED



TITLE STAINLESS STEEL UNDERMOUNT SINGLE DRAWER UNIT SOUTHERN CROSS STAINLESS STEEL PTY. LTD. 25 CLAPHAM RD REGENTS PARK N.S.W 2143 FAX (02) 9645 1114 TEL. (02) 9644 2811 EMAIL southerncrossstainlesssteel@bigpond.com	PROJECT No	MODEL
	SCALE 1 : 10 @ AA SIZE	DRAWING No REVISION
	DATE OCT '06	SC 124