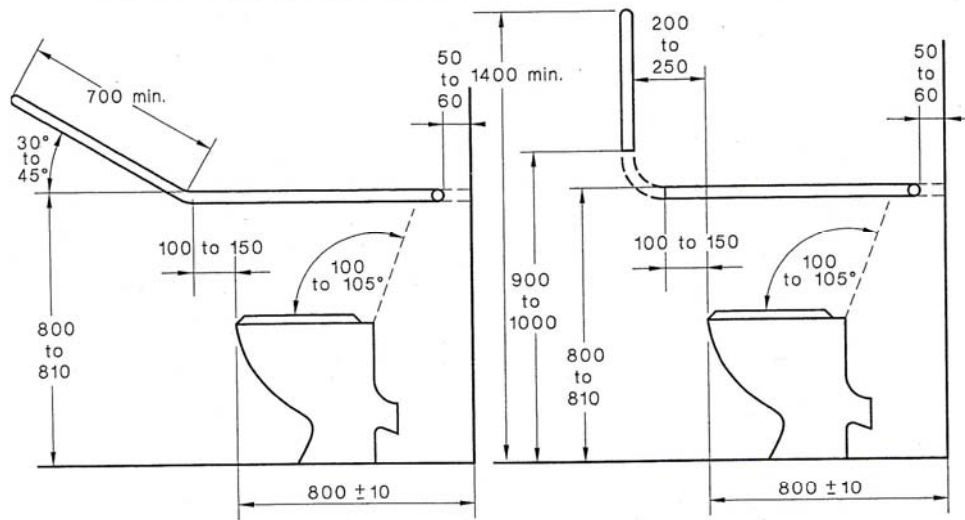


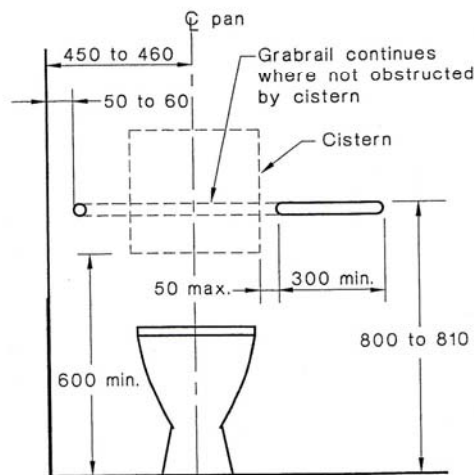
GRAB RAIL INSTALLATION



(i) Option A

(ii) Option B

(a) Side view showing optional systems for grabrail at sides of pan



(b) Grabrail at back of pan and sectional view of grabrail at side of pan

AS PER AUSTRALIAN STANDARD
AS1428.1



23-27 Clapham Road
Regents Park NSW 2143

Ph: 02 9644 2811

Fx: 02 9645 1114

Email: southerncrossstainless
@bigpond.com

DRAWING NO: SCI08
09/05

Southern Cross Stainless Steel