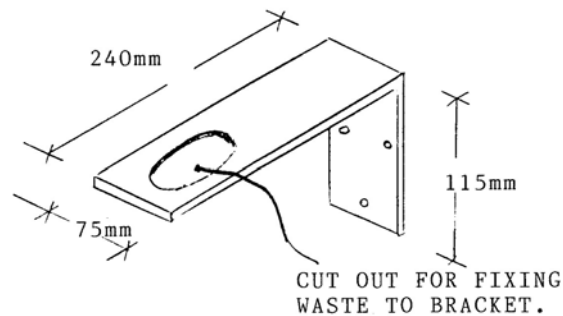
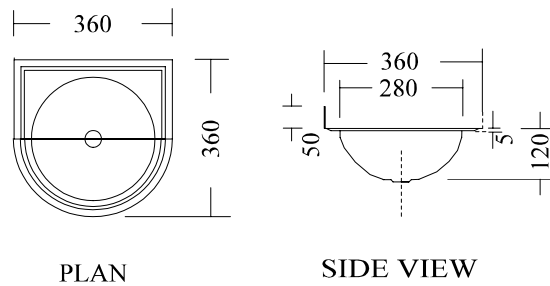


WB3 HAND BASIN

MODEL NO: STHB-WB3
PRODUCT CODE: WB3003

360 x 360 x 120mm satin finish stainless steel grade 304 radius front wall basin with 38mm plug & waste. 50mm high rear splashback. Heavy duty mild steel plated bracket. 1, 2 or no tap holes



- 304 Grade stainless steel
- Satin finish
- 50mm high splashback
- 38mm plug & waste included
- 1,2 or no tap holes
- Bracket included

SYDNEY WATER BOARD APPROVAL
NO: 89/00552


**23-27 Clapham Road
Regents Park NSW 2143**

**Ph: 02 9644 2811
Fx: 02 9645 1114**

**DRAWING NO: SC14
05/05**

Southern Cross Stainless Steel