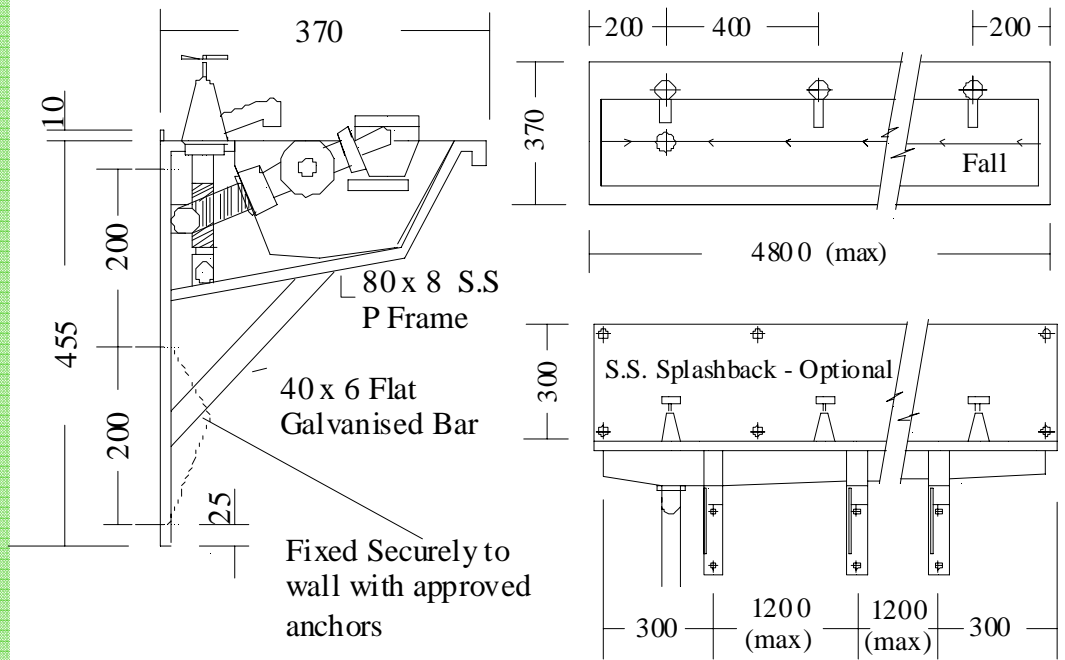


*Southern Cross Stainless Steel*

# P.W.D. WALLSEND PATTERN WASH—DRINKING TROUGH

MODEL NO: STW/DT

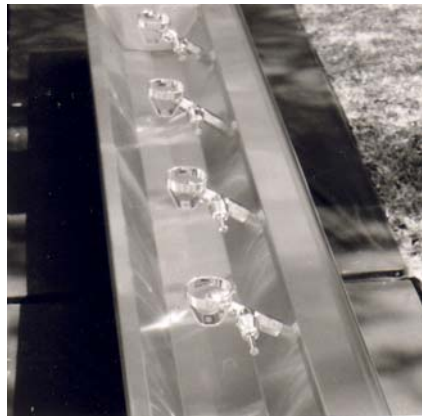
Fabricated from gauge 1.2mm type 304 satin finish stainless steel with a 50mm standard outlet positioned at either the left or right hand end. Supported by mild steel cantilever wall brackets 80 x 8 S.S



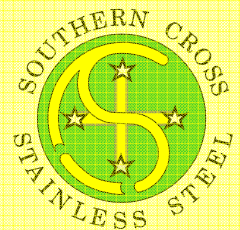
BR146—Bracket for wallsend wash trough

TE5507—Type 63F bubblers

ET5502—Type 48 pillar cock



DRAWING NO: SC32  
04/05



23-27 Clapham Road  
Regents Park NSW 2143

Ph: 02 9644 2811

Fx: 02 9645 1114