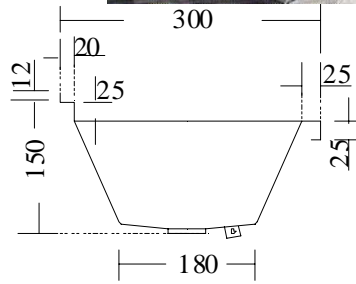


*Southern Cross Stainless Steel*

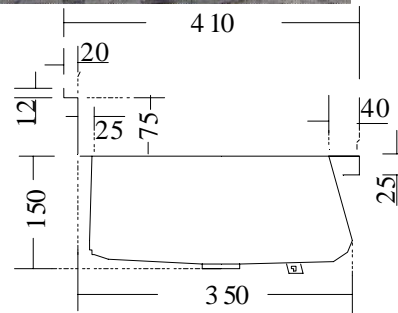
# WASH & BUBBLER TROUGHS

MODEL NO: STWT

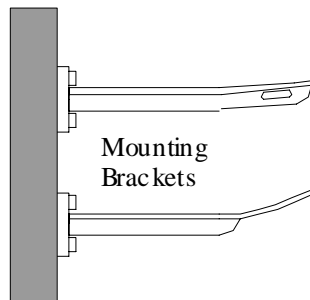
All Southern Cross Stainless Steel troughs are fabricated from gauge 1.2mm type 304 satin finish stainless steel, with a 50mm standard outlet positioned preferably at the left or right hand end. Length as required. Mild steel cantilever support brackets.



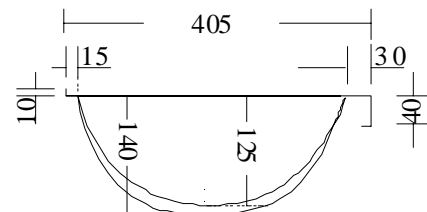
No 1 Pattern



No 2 Pattern



Mounting Brackets



No 3 Pattern

TE1457—BRACKET TO SUIT NO. 1, 2, 3 PATTERN WASH TROUGH



23-27 Clapham Road  
Regents Park NSW 2143

Ph: 02 9644 2811

Fx: 02 9645 1114

DRAWING NO: SC33  
04/05

ALL TROUGHS SYDNEY WATER BOARD  
APPROVED.