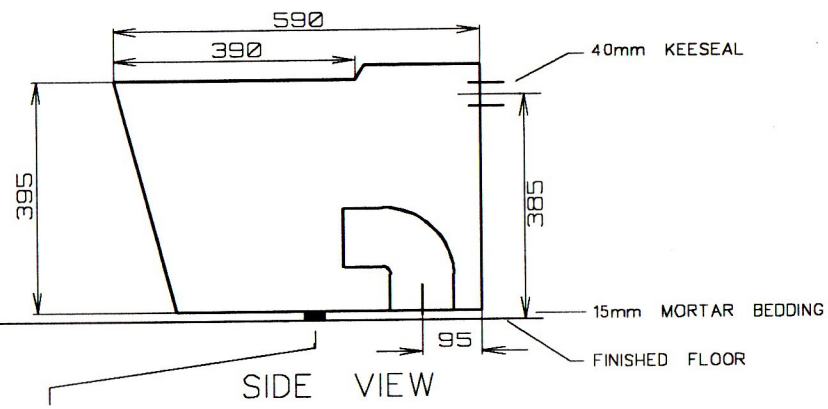
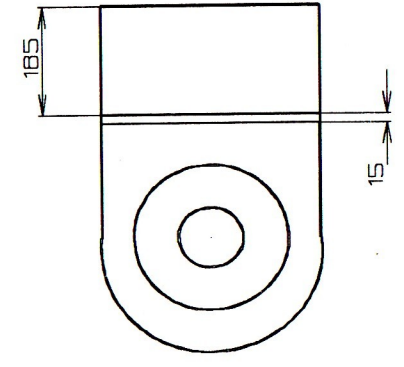


FRONT VIEW



SIDE VIEW

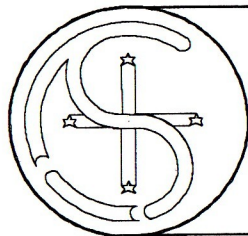
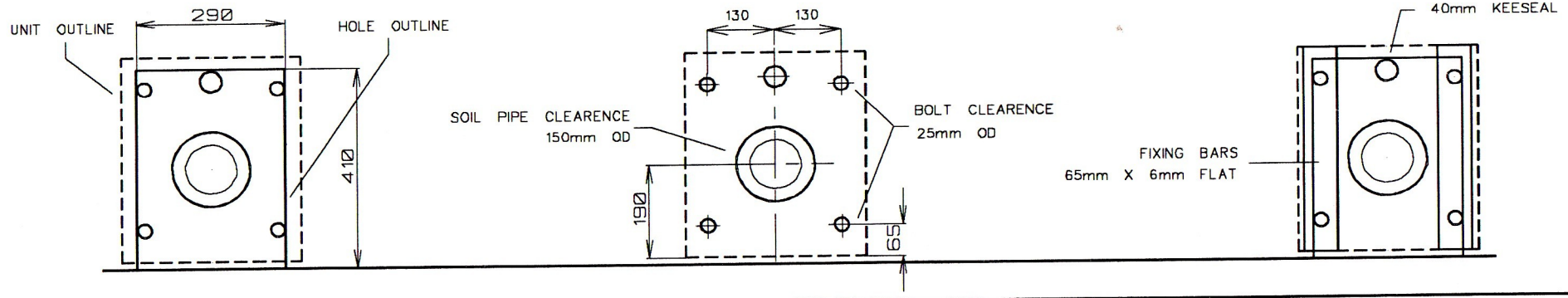


PLAN

FIX SECURING BRACKET TO FLOOR WITH 2 OFF 10mm OD C'S'K
 D.D. DYNABOLTS AS INDICATED IN CENTRAL POSITION, SLIDE PAN
 ONTO BKT, SEAL TO WALL AND FLOOR AS REQUIRED.

SYDNEY WATER BOARD APPROVAL NO.: 90/01066
 AUST. REG. DESIGN NO.: 107953

PENETRATION DETAILS



**SOUTHERN CROSS
 STAINLESS STEEL**
 23-27 CLAPHAM ROAD, REGENTS PARK
 PO BOX 60 NSW AUSTRALIA 2143
 TEL: (02) 9644 2811 FAX: (02) 9645 1114

WALLFACE S TRAP PAN		UNITS:	MM
		DRAWING NO.:	SC-4
SPEC: STTS		SHEET NO.:	004
REV	NOV		1/92