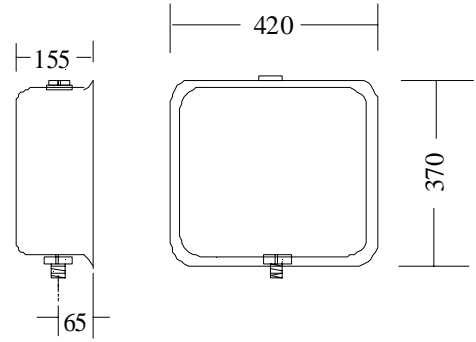


Southern Cross Stainless Steel

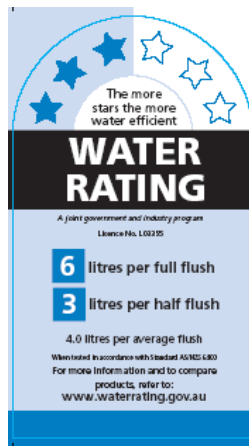
CISTERN—DUAL FLUSH

MODEL NO: STCI
 PRODUCT CODE: CII210



Product Code	Product
CII210	6-3 L
CII211	9-4.5L (TO REPLACE EXISTING CISTERNS ONLY)

- 304 grade stainless steel, polished finish
- Top press action
- 9L full flush 4.5L half flush
- Vandal Resistant



WELS registration number
L3355


23-27 Clapham Road
Regents Park NSW 2143

Ph: 02 9644 2811
Fx: 02 9645 1114

DRAWING NO: SC94
12/13