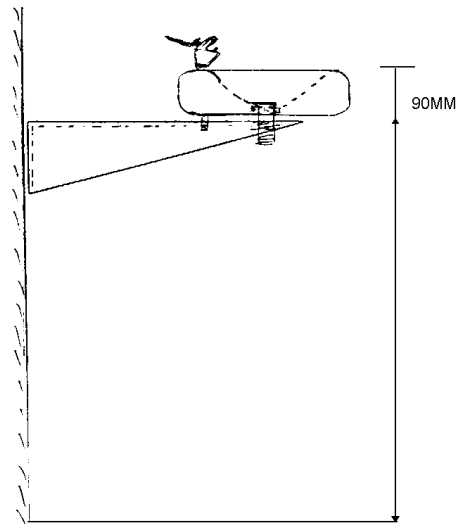


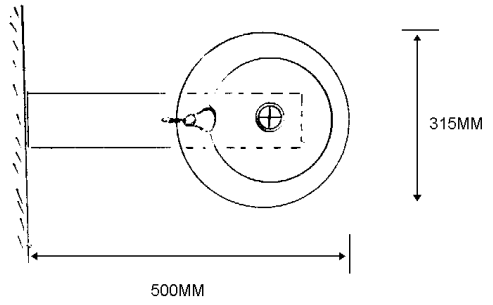
Southern Cross Stainless Steel

# WALL MOUNTED OR PEDESTAL MOUNTED DISABLED DRINKING FOUNTAIN

MODEL NO: STDF-D  
PRODUCT CODE: DFI516

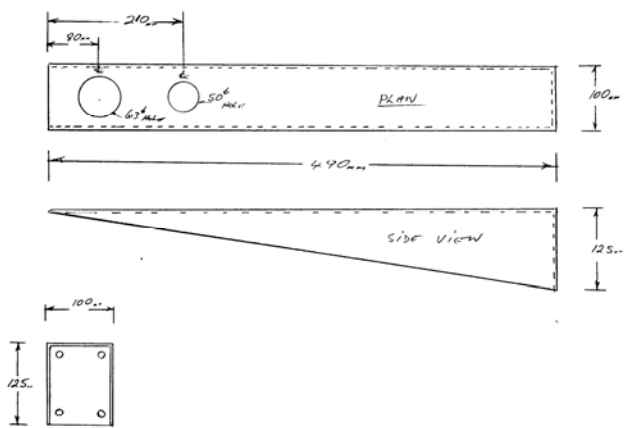


SECTION



PLAN

## BRACKET



- 304 grade stainless steel
- Heavy duty stainless steel bracket
- Lever activated hooded bubblers
- Wall mounted or pedestal mounted
- 32mm chrome brass waste fitting
- Rounded for safety

DRAWING NO: SC64  
05/05

**23-27 Clapham Road  
Regents Park NSW 2143**

**Ph: 02 9644 2811  
Fx: 02 9645 1114**