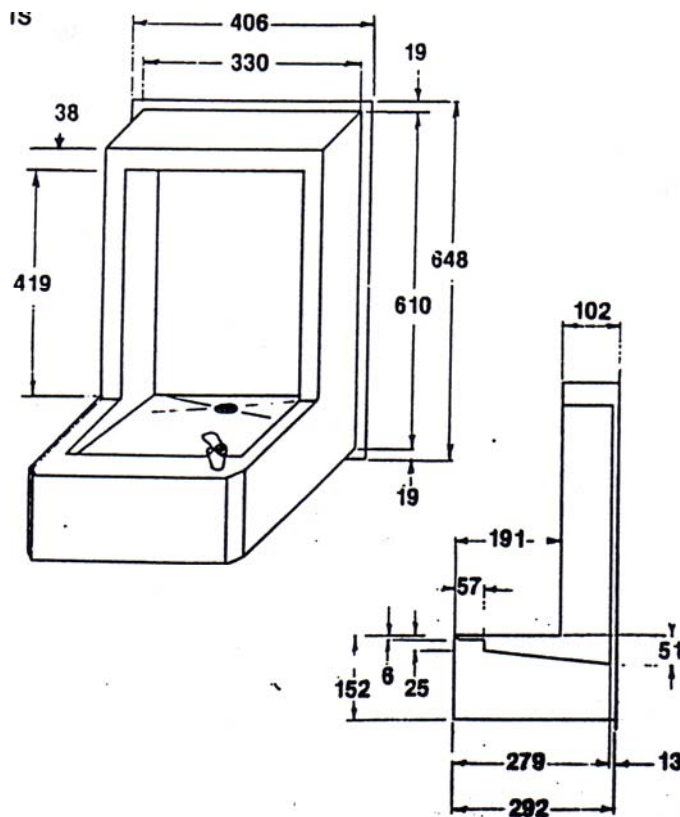


DISABLED PERSON DRINKING FOUNTAIN

MODEL NO: STDF-W
PRODUCT CODE: DF1530

This wall mounted attractive drinking fountain fits harmoniously into any architectural environment. A cup and jug filler is an optional extra.



DRAWING NO: SC88
04/05



23-27 Clapham Road
Regents Park NSW 2143

Ph: 02 9644 2811

Fx: 02 9645 1114

Email: southerncrossstainless@bigpond.com