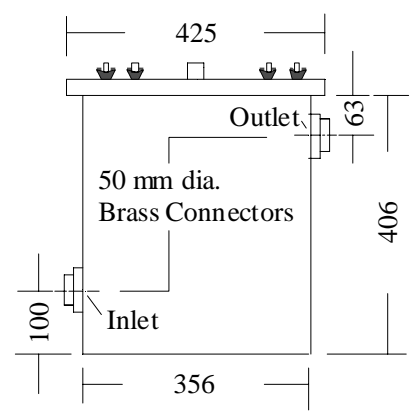


Southern Cross Stainless Steel

PLASTER TRAP

MODEL NO: STPT
PRODUCT CODE: PT1701

406 x 406 x 406mm high 1.2mm gauge, type 304 satin finish stainless steel outer and inner case. 50mm diameter brass inlet and outlet waste connections. Complete with fine stainless steel gauze filters. Removable panels.



Recommended for filtering plaster waste in hospitals, dental surgeries, clinics and laboratories

- 304 grade stainless steel
- Prevents blocked drains
- Large 32 litre capacity
- Removable lid, mesh filter
- 50mm PVC inlet & outlet

OPTIONAL EXTRA:

TPI702— FITTED WITH CASTORS



**23-27 Clapham Road
Regents Park NSW 2143**

**Ph: 02 9644 2811
Fx: 02 9645 1114**

**DRAWING NO: SC21
04/05**