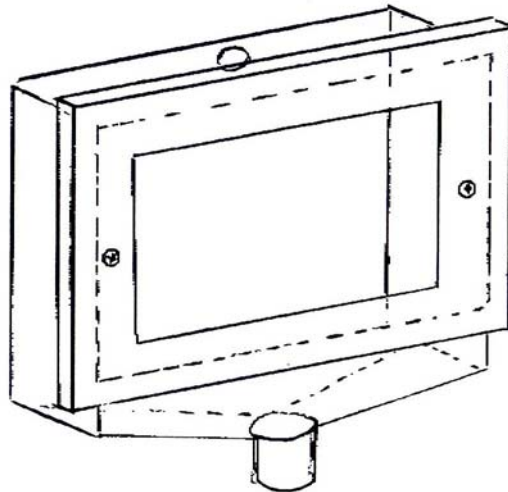


RECESSED TUNDISH

MODEL NO: RT100

PRODUCT CODE:

- 316 grade stainless steel satin finish
- Compact size 150mm x100mm x70mm
- Perspex window
- Security Fixing
- Optional Outlet size 25mm, 32mm or 40mm
- Optional inlets 1, 2, or 3
- Concealed wall fixing



23-27 Clapham Road
Regents Park NSW 2143

Ph: 02 9644 2811

Fx: 02 9645 1114

DRAWING NO: SC111

04/05

Southern Cross Stainless Steel