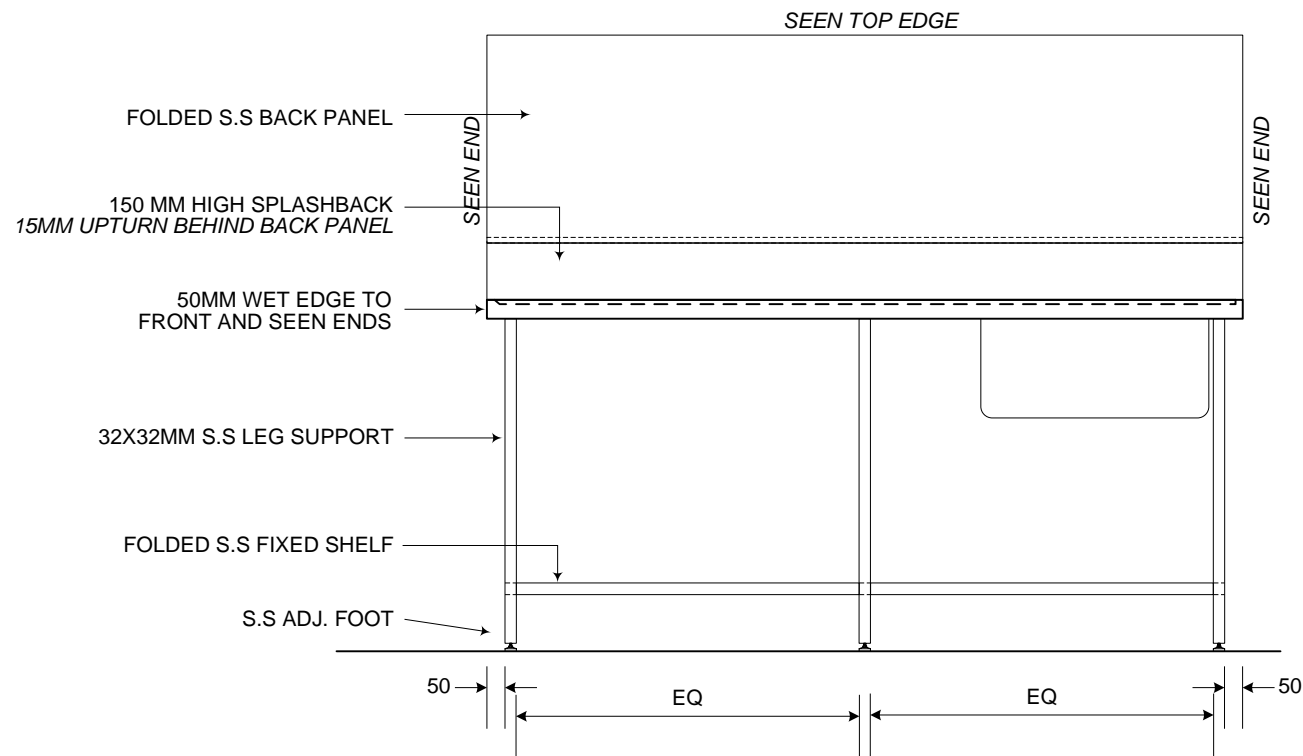


**3** SECTION UNDERBENCH SHELF



**2** FRONT ELEVATION

**MATERIAL**

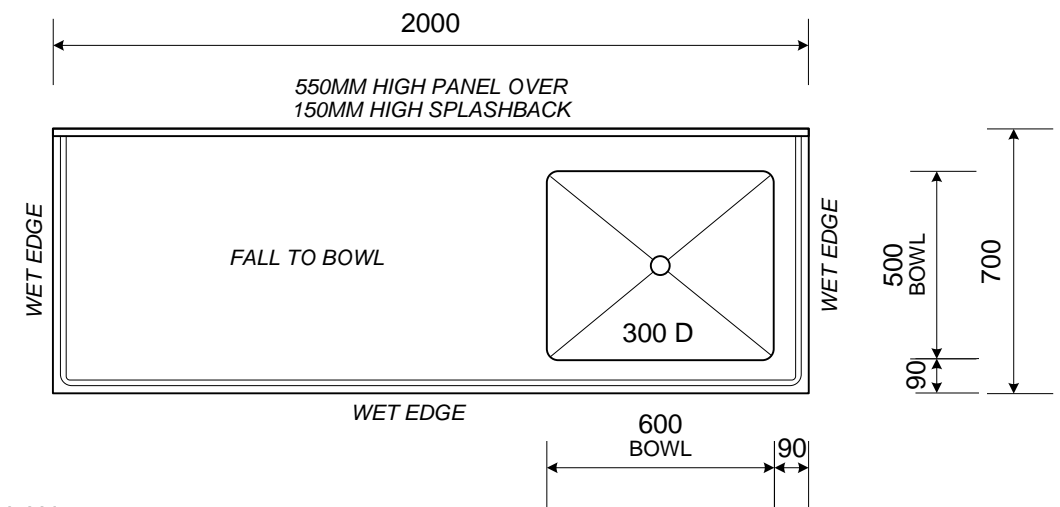
**BENCHTOP**

1.2MM THICK , 304 GRADE STAINLESS STEEL  
NO/ 4 SATIN FINISH  
HMR BOARD BACKING SEALED WITH WHITE POLYESTER RESIN

50MM WASTE AND PLUG TO SINK BOWL

BACK PANEL AND FIXED SHELF  
1.2MM THICK , 304 GRADE STAINLESS STEEL  
NO/4 FINISH

**BENCH AND SHELF SUPPORT**  
32X32X1.6MM STAINLESS STEEL TUBE  
SATIN FINISH



**1** PLAN

REV	DESCRIPTION	DATE

© Copyright remains the property of SOUTHERN CROSS STAINLESS STEEL PTY. LTD

SHOP DRAWINGS  
PREPARED BY:

**MARTIN  
HYDE DRAFTING**

PHONE: 46 596 540  
FACSIMILE: 46 596 540  
EMAIL: mhdraft@bigpond.net.au

B.R.N. BN83416603



STAINLESS STEEL SHOP DRAWINGS  
**SOUTHERN CROSS  
STAINLESS STEEL PTY. LTD.**  
25 CLAPHAM RD REGENTS PARK N.S.W 2143  
FAX (02) 9645 1114 TEL. (02) 9644 2811

DOCUMENT NO:	
CHECKED	SCALE 1 : 20 @ A3 SIZE
APPROVED	DATE NOV 06

NSW AMBULANCE	
TITLE <b>PRODUCT CODE AMSB</b>	
DRAWING No <b>SC120</b>	REVISION