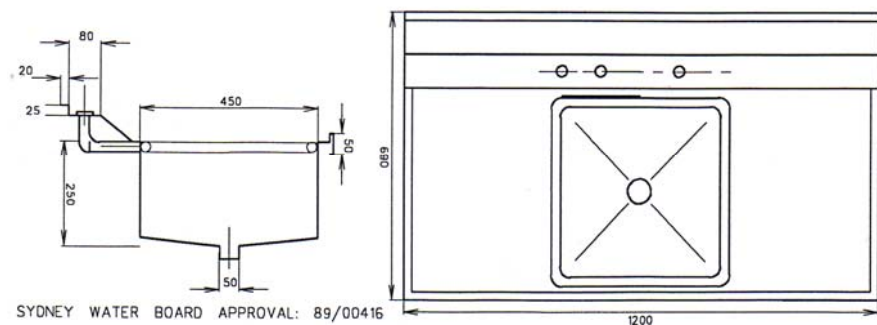


STANDARD FLUSHING SINK

MODEL NO: SPFS

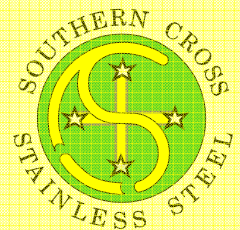
1200mm long x 690mm wide x 1.2mm grade 304 satin finish stainless steel sink & drainer with 450 x 450 x 250mm deep flushing bowl diameter waste outlet. 25mm flushing inlet connection. Drainer backed with 19mm ply & polyresin sealed.

- The sink bowl has a flushing rim around the top edge so that when the flushing valve or cistern is activated the whole surface area of the bowl is flushed clean.



- It is recommended that these units be flushed by :
Low or mains pressure approved flushing valves, or overhead high level full flush cisterns with a minimum 9 litre flushing volume.
- The inlet connection is 25mm and can be supplied as top entry exposed or rear concealed.
- The standard waste outlet is 50mm diameter but can be supplied with a 100mm diameter outlet.
- 100mm diameter stainless steel P or S traps are available upon request
- Our flushing bowls can be fitted to architecturally detailed tops.

These sinks can also be fitted to custom made cupboards (other than Southern Cross Stainless Steel) or stainless steel tubular frame supports by Southern Cross Stainless Steel.



23-27 Clapham Road
Regents Park NSW 2143

Ph: 02 9644 2811

Fx: 02 9645 1114

DRAWING NO: SC13
04/05