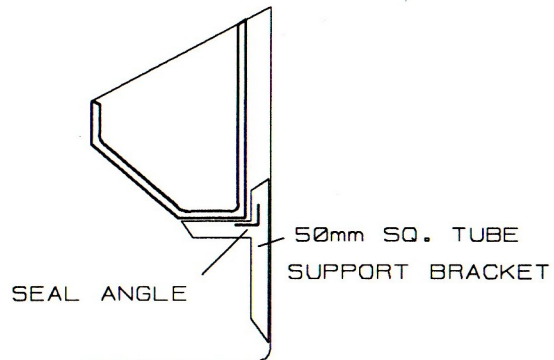
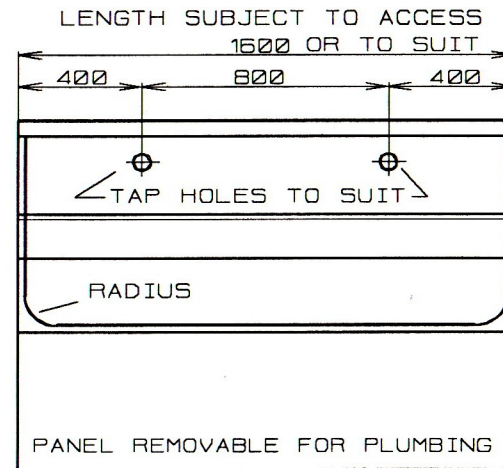


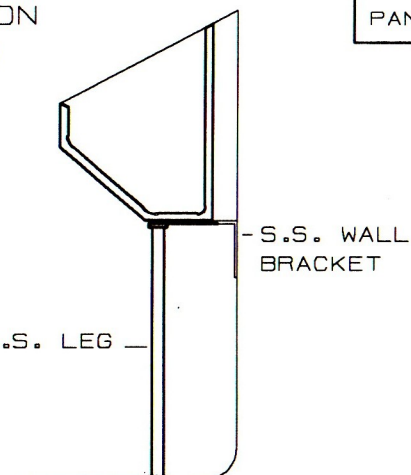
END SECTION  
DUCT SUPPORT



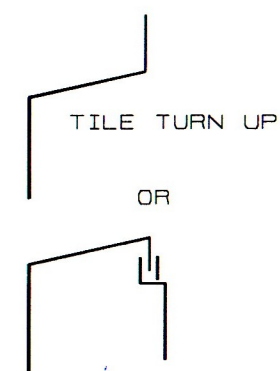
END SECTION  
WALL HUNG



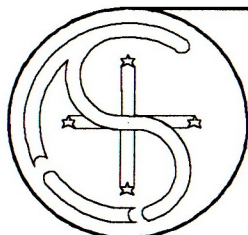
FRONT VIEW



END SECTION  
LEG SUPPORT



FIXING CLIPS



**SOUTHERN CROSS  
STAINLESS STEEL**

23-27 CLAPHAM ROAD, REGENTS PARK  
PO BOX 60 NSW AUSTRALIA 2143  
TEL: (02) 9644 2811 FAX: (02) 9645 1114

SURGEON SPECIAL  
SCRUB-UP TROUGH  
SPEC: SPSU/ST-S

INC. NSW

2/92

UNITS:

MM

DRAWING NO.:

SC-35

SHEET NO.:

035