

Southern Cross Stainless Steel

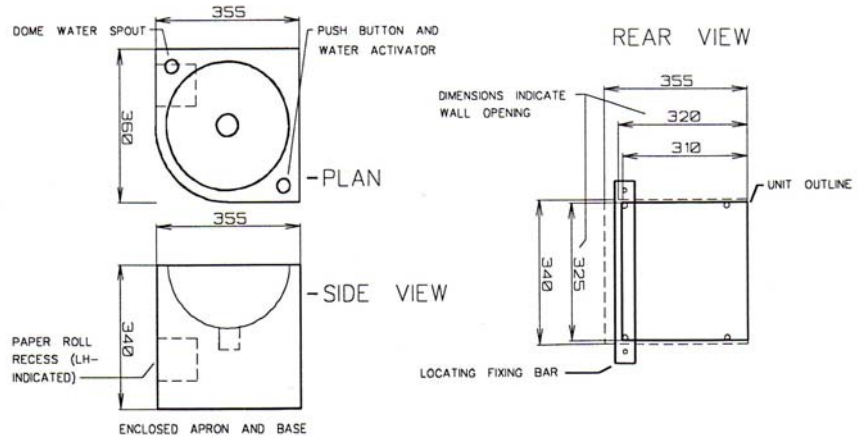
WALLFACE CORNER CELL BASIN

MODEL NO: SPCL-CB
PRODUCT CODE: CB3022

355 x 360 x 340mm x 2mm thick radius front, concealed apron, vandal proof, satin finish stainless steel basin. 38mm waste outlet, recessed toilet roll holder, 4 x 300mm long restraining bolts, to 2 x 6mm thick stainless steel securing bars.

ALSO AVAILABLE as full pedestal to floor nominated with or without S.C.S.S. (Enware) vandal proof fittings.

Chrome plated domed water spout.
Push button and pressure adjustment supply valve.
Time flow control valve.



DRAWING NO: SC11
04/05

**SOUTHERN CROSS
STAINLESS STEEL**

23-27 Clapham Road
Regents Park NSW 2143

Ph: 02 9644 2811
Fx: 02 9645 1114